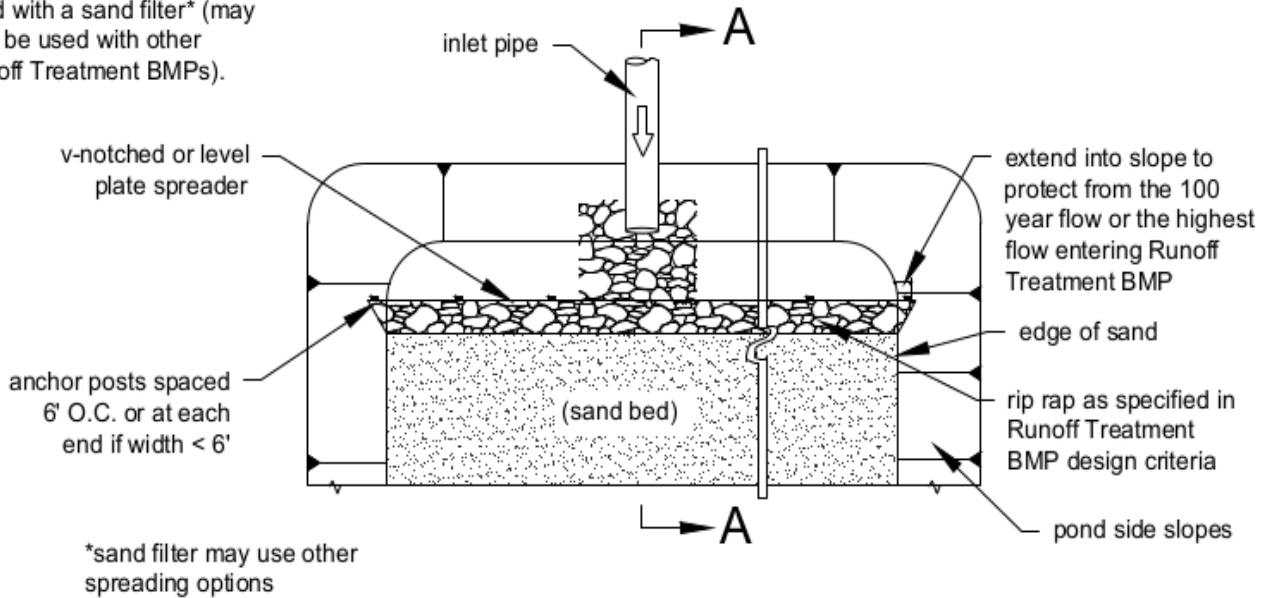
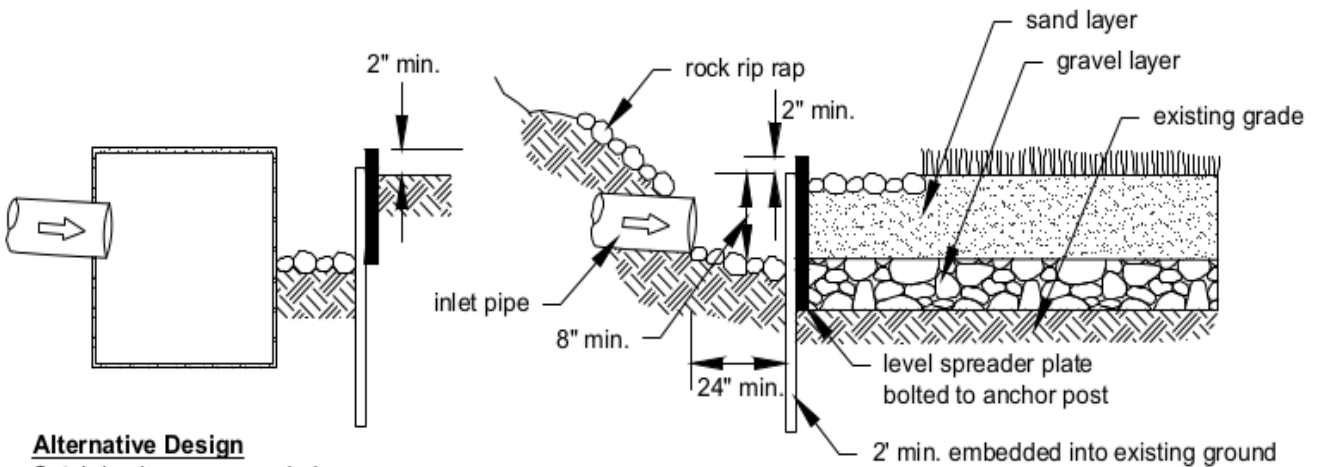


Example of anchored plate used with a sand filter\* (may also be used with other Runoff Treatment BMPs).



### Plan View



#### Alternative Design

Catch basin recommended for higher flow situations (generally for inflow velocities of 5 fps or greater for 100 year storm).

### Section A-A

NOT TO SCALE



Figure II-4.16. Flow Spreader Option A:  
Anchored Plate