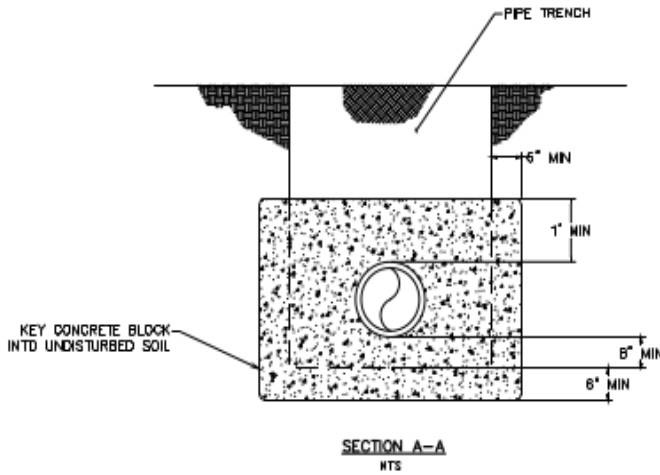
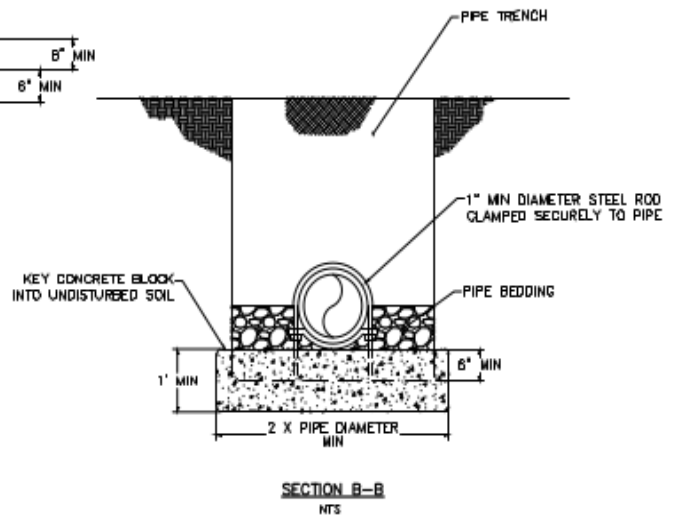


NOTE: FOR SWPE, PIPE MUST BE FREE TO SLIDE INSIDE A 4-FT SECTION OF PIPE, ONE SIZE DIAMETER LARGER.

SWPE PIPE ANCHOR DETAIL
NTS



SECTION A-A
NTS



SECTION B-B
NTS



Figure II-4.4. Pipe Anchor Detail